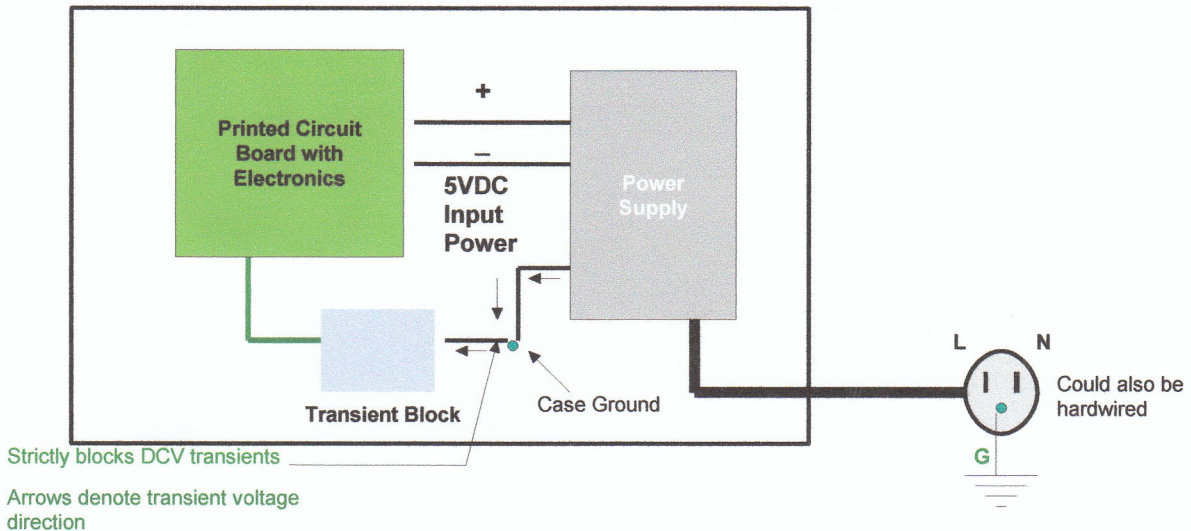


### Electronic Device



Strictly blocks DCV transients

Arrows denote transient voltage direction

The Bravo Transient Block filter is for use in series with common ground. Not recommended for use with apparatus rated at a power level consumption greater than 1250 Watts. Will be used to attenuate induced surge voltage transients that may come up the ground wire from the earth ground connection.

**Bravo Communications, Inc.**  
3463 Meadowlands LN  
San Jose, CA 95135 U.S.A.  
TEL 408-297-8700  
FAX 408-297-8701  
WEB: BRAVOBRAVO.COM

### TYPICAL APPLICATIONS

- Stops False Alarms On Fire Alarm Panels
- PC Add-On Protection/Security
- Protect POS (Point-Of-Sale) Terminals
- Popular With Fire & Police Departments
- Popular With Insurance Companies