

Description

\$ 2042EX

Bravo's Serial Line Extender (2042E) is uniquely a universal and multifunctional line extender product that will provide distance capability for virtually all serial equipment in any serial application. Breaking the 50-foot serial interface distance barrier, Bravo's extender supports all serial data speeds up to 40 Kbps while allowing you to achieve distances up to 1 mile over all types of serial cable media. Multiple units may be used for increased distances.

120kbps

The Bravo Serial Line Extender is a single, straight-thru, transceiver unit that

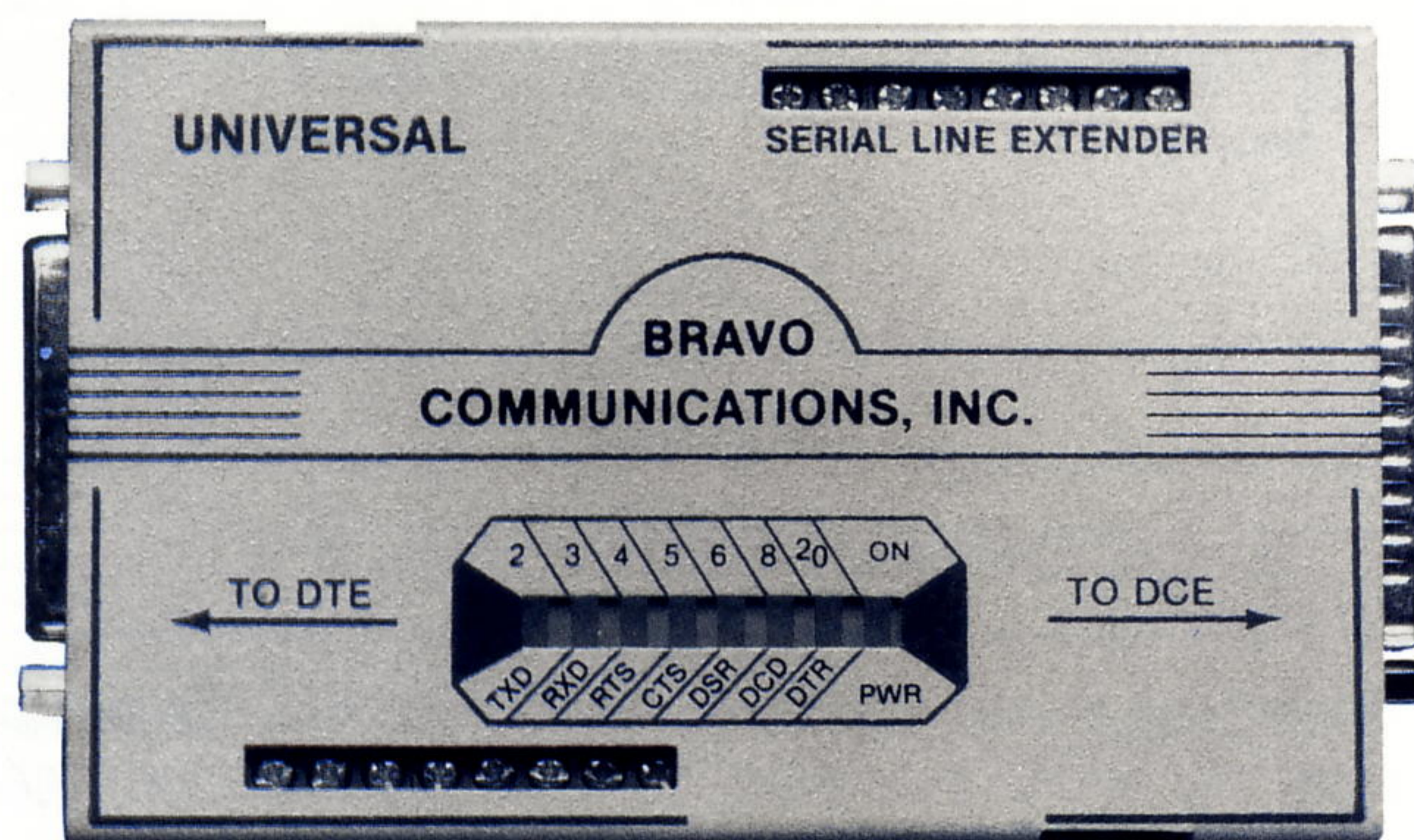
regenerates all the important signals of the RS-232/V.24 interface, and thereby filters, amplifies, and reshapes these signals for reliable long distance applications. Because the extender is designed with high-quality drivers and receivers and finely honed circuitry, it has the ability to receive signals over long distances as well as to drive these signals over long distances. This feature provides flexibility in placement of the unit anywhere along the cable run between equipment and easily lends itself to being shared in manual or automatic switch applications.

UNIVERSAL SERIAL LINE EXTENDER®

Special Features & Benefits

- High-Speed Serial: Supports all serial speeds up to 40 Kbps.
Model 2042EX is 120kbps.
- Long Range: Achieves distances up to 1 mile. Multiple units can be placed for even longer distances.
- Transceiver: Self-Contained transmitter and receiver (only one unit is required).
- Multi-Media Support: Supports all 25 RS-232/V.24 signals on the DB25 connectors, and pins 2 thru 8 and pin 20 on the RJ45 and terminal block connectors. This multi-media feature allows you to intermix all common serial cabling types to best accomplish your cable run.
- Transparency: Supports—both asynchronous and synchronous communications, all hardware and software handshakes, simplex, half and full duplex modes, and all serial parameter settings.
- LED Array: An 8-element bi-color red/green (positive/negative) LED status array provides a line analyzer and troubleshooting tool.
- Dual DTE/DCE Switches: A DTE/DCE switch is provided on each port for reversing pins 2 & 3 allowing all possible combinations of DTE/DCE matching.
- Surge Protection: The extender is fully shielded and includes surge protection against under and over voltages.
- Power Flexibility: Comes complete with a 9V DC @ 1 Amp wall-mounted power transformer for direct power; or you may supply your own +9V power source on pin 9 only and let the extender provide -9V; or you may supply +9V to pin 9 and -9V to pin 10.
- Port Expansion/Peripheral Sharing: Multiple DTE and DCE devices can be connected to all or any of the connectors on the Bravo extender.
- Cost Effective: The most productive approach for remote serial applications.
- Simplicity: Simple "plug-in cables and go" installation.

*The High-Speed
Serial Extender That
Makes All Your
Computer Equipment
"Go The Distance"
(Breaks The 50-Foot
Serial Interface
Distance Barrier).*



UNIVERSAL SERIAL LINE EXTENDER[®]

Bravo's Serial Line Extender can be used to provide distance capability to any RS-232/V.24 interface, increasing equipment accessibility, productivity and signal reliability. It's the sensible alternative to more expensive short-haul modems, line drivers and a multitude of complicated products.

Product Configuration

- **Connectors:** The extender input ("To DTE") connector is a "D" subminiature 25-pin female connector and the output ("To DCE") connector is a "D" subminiature 25-pin male connector. There are also 8-pin RJ45 and terminal block connectors associated with each of these ports for alternate wiring. A power input jack is for the power transformer.
- **Cabling Requirements:** Because the Bravo extender is a straight-thru device, the cabling required to interface your serial equipment over a short distance is also needed at a longer distance. You simply add straight-thru pin-to-pin extension cable (any type of your choice) between either or both ports of the extender and your serial equipment to position the extender where it's most convenient.
- **Options:** Bravo's cable product line with lengths from 1' to 100'; Bravo serial data switches; Bravo serial port protectors; & rack mount extender solutions (inquire at Bravo for more information).

Electrical Requirements

- **Voltage/Frequency:**
95 VAC – 120 VAC, 60 Hz;
200 VAC – 240 VAC, 50 Hz.
- **Power Consumption:** 15 Watts max.;
9 V @ 1 AMP DC output; 9 V @
100 mA minimum if externally powered.
- **Power Supply:** UL listed wall-mount transformer with a heavy-duty six-foot cord is provided (U.S.).
- **International versions** are available per country destination.

Physical

- **Size:** 1.2" H x 5.0" W x 3.0" D;
3.1 cm H x 12.9 cm W x 7.8 cm D.
- **Weight:** 2.0 lbs.; .90 kg. (including transformer).

Environment

- **Operating Temperature:**
0° - 50° C; 32° - 122° F.
- **Relative Humidity:**
0 - 90% (non-condensing).

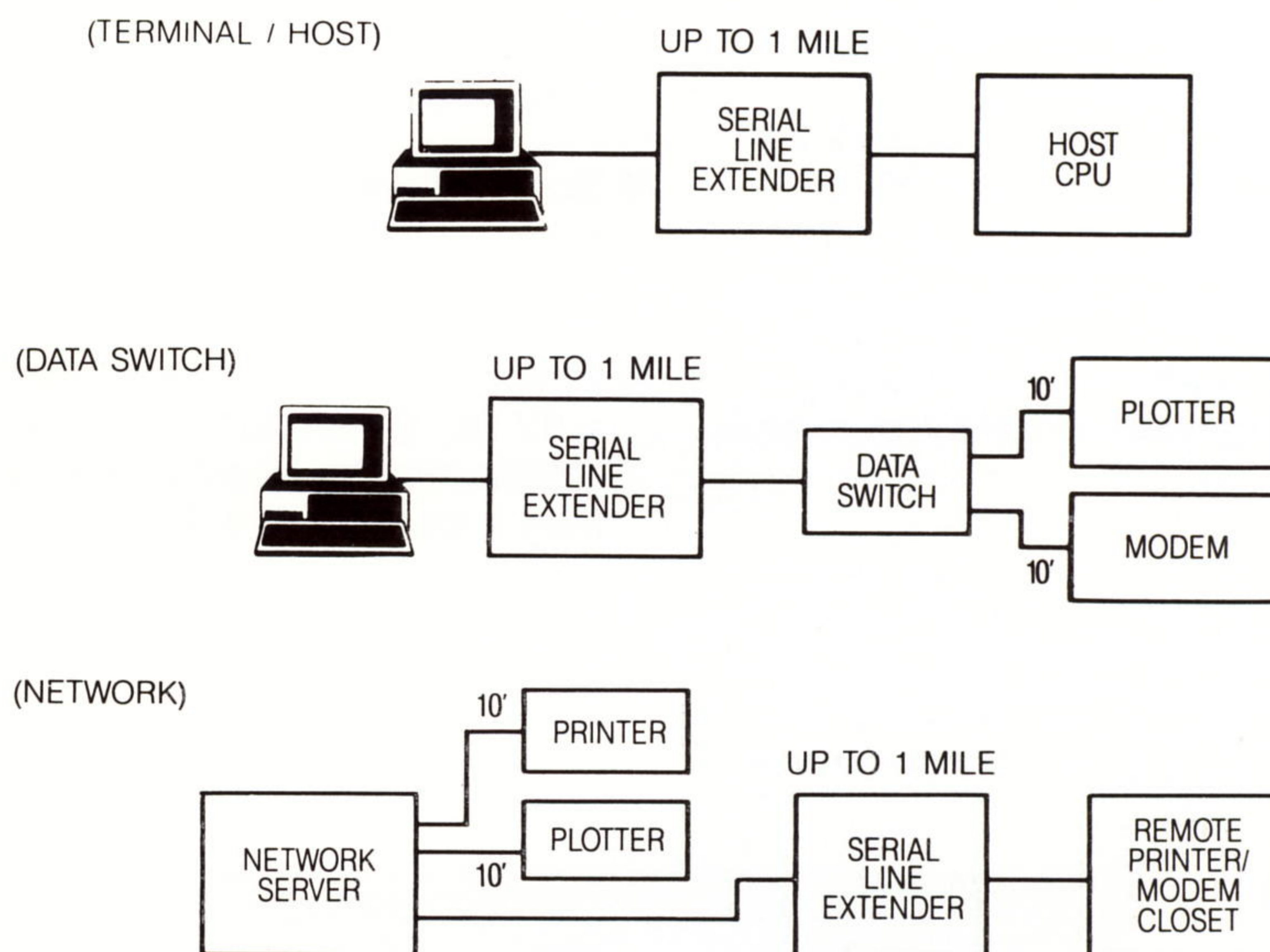
Certifications

- FCC, Part 15, Subpart J, Class B Certified.
- UL & CSA Listed power supply (U.S.). International Certifications are available per country destination.

Warranty

- 1-year limited warranty.
- Extended warranty option.

Serial Line Extender (Model 2042E) Typical Configurations



BRAVO

COMMUNICATIONS, INC.

Bravo Communications, Inc. reserves the right to change any specification without prior notice.

Copyright © 1995 Bravo Communications, Inc.
20XX-004-05M 6/95 Printed in USA. All rights reserved.

1310 TULLY RD., SUITE 107 • SAN JOSE, CA 95122
Tel: (408) 297-8700 Fax: (408) 297-8701 Sales: (800) 366-0297

Cost-Effective Networking Solutions